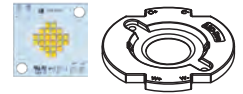


Tunable White Modules & Connectors



LSD-Duo Module (10W, 30W, 50W)

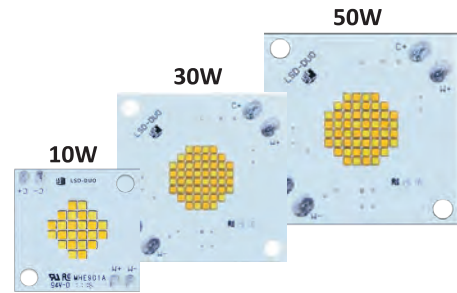
LSD-D-V2A-010 / 030 / 050

Features:

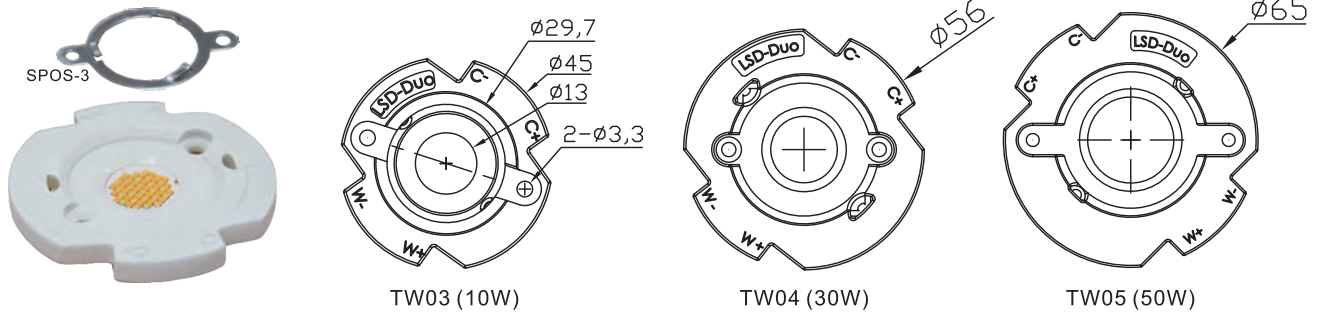
- ❖ High-density power chip array
- ❖ 2700K – 5700K CCT tunable
- ❖ CE/UL/TUV Compliant

Applications:

- ❖ Museum, High-end Retail Lighting
- ❖ Multi-function Space Lighting
- ❖ Studio Lighting
- ❖ Follow Spot Light / Gobo Lamp



Connector for Tunable White Modules



1. Electro Optical Characteristics

LSD-Duo Module 10W

Product Code	Nominal CCT	Min.CRI	Luminous Flux (lm)	Efficacy (lm/W)	Voltage (V)	Current (mA)
LSD-D-V2A-010	2700K	80	1030	93	36	300
	5700K		1130	102	36	300

LSD-Duo Module 30W

Product Code	Nominal CCT	Min.CRI	Luminous Flux (lm)	Efficacy (lm/W)	Voltage (V)	Current (mA)
LSD-D-V2A-030	2700K	80	2970	87	42.5	800
	5700K		3250	98	41.3	800

LSD-Duo Module 50W

Product Code	Nominal CCT	Min.CRI	Luminous Flux (lm)	Efficacy (lm/W)	Voltage (V)	Current (mA)
LSD-D-V2A-050	2700K	80	4200	88	48	1000
	5000K		4890	97	48	1000

Notes:

- 1) All data are measured with environmental condition of 25°C and 65% humidity.
- 2) The voltage is maintained at +/-3%, luminous flux at +/-5%, CRI at +/- 1.
- 3) Due to the special conditions of the manufacturing processes of LED the typical data of technical parameters can only reflect statistical figures and do not necessarily correspond to the actual parameters of each single product which could differ from the typical data.
- 4) The temperature at a measuring point on the module, Tc, is correlated to the junction temperature of the LED chip.

2. Absolute Maximum Ratings

Input Power (W)	15
Forward Current (mA)	420
Operating Temperature	-40°C to 100°C
Storage Temperature	-40°C to 100°C
Junction Temperature	125°C

3. Mechanical Dimension (Unit: mm)



Widegerm Lighting Ltd.

Hong Kong Office: Flat A, 3/F., Tak Wing Ind. Building, 3 Tsun Wen Rd., Tuen Mun, N.T., Hong Kong
China Factory: Fulusha Village, Shatian Town, Dongguan City, Guangdong Province, China

匯湛照明有限公司

Facebook: www.facebook.com/Widegerm
Web: <http://www.widegerm.com.hk>
E-mail: info@widegerm.com.hk
Tel: (+852) 2465 5679 Fax: (+852) 2455 8434