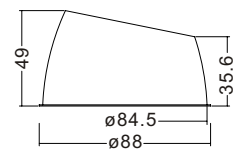

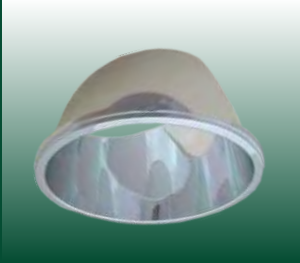


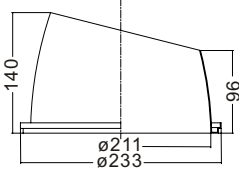

Facet :Frost
Outer : $\phi 88$
Inter : $\phi 84.5$
Height :49/35.6


ITEM:4979B-A



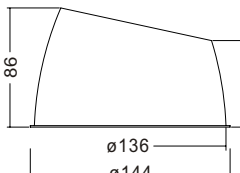

Facet :Smooth
Outer : $\phi 233$
Inter : $\phi 211$
Height :140
Lamp Hole : $\phi 162$


ITEM:9025T -A



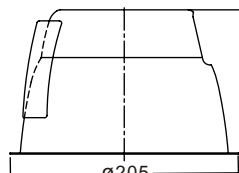
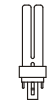
Facet :Frost
Outer : $\phi 144$
Inter : $\phi 136$
Height :86/40


ITEM:6145-A



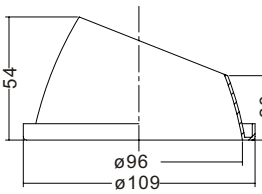

Facet :Smooth
Outer : $\phi 205$
Inter : $\phi 184$
Height :125
Lamp Hole :82x40

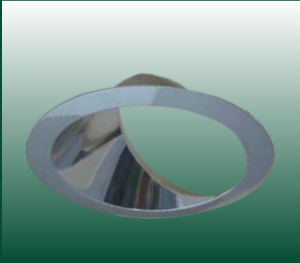
ITEM:8140T-A



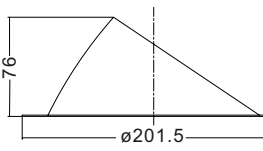

Facet :Smooth
Outer : $\phi 109$
Inter : $\phi 96$
Height :54/28

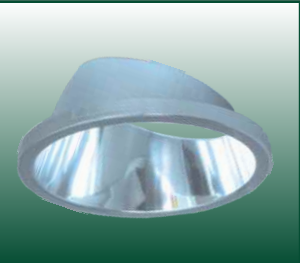
ITEM:4108-A



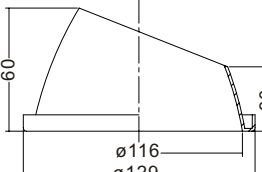

Facet :Smooth
Outer : $\phi 201.5$
Inter : $\phi 163$
Height :76
Lamp Hole : $\phi 120$


ITEM:8701T -A



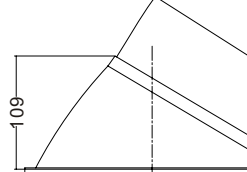
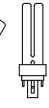
Facet :Smooth
Outer : $\phi 128$
Inter : $\phi 115$
Height :58

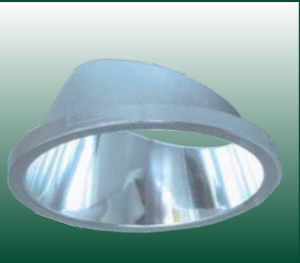
ITEM:5979Z-A



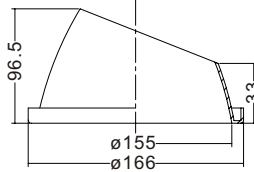

Facet :Smooth
Outer : $\phi 195$
Inter : $\phi 180$
Height :109
Lamp Hole : $\phi 139$


ITEM:7049T -A



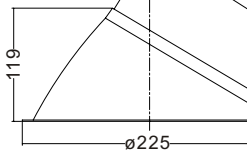
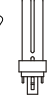
Facet :Smooth
Outer : $\phi 166$
Inter : $\phi 155$
Height :96.5/33

ITEM:7979B-A



Facet :Smooth
Outer : $\phi 225$
Inter : $\phi 216$
Height :119
Lamp Hole : $\phi 159$
Trim No. :DTR0901D

ITEM:9049T -A